

R.W. CONKLINSTEEL

100% Melted & Manufactured in the USA

1-888-CONKLIN (266-5546)

www.conklinsteel.com



PS FLAT WEB CONNECTORS

Specifications

SWC 60 A

60° WYE PILE

WEIGHT

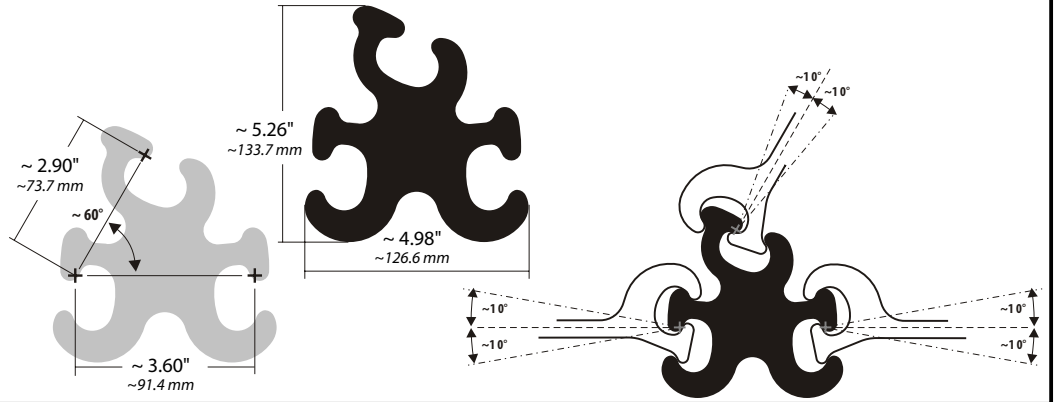
~ 41.11 lb/ft

WORKS WITH

PS: 27.5, 31

STEEL GRADE

ASTM Grade 50 (or better)



SWC 60 B

60° WYE PILE

WEIGHT

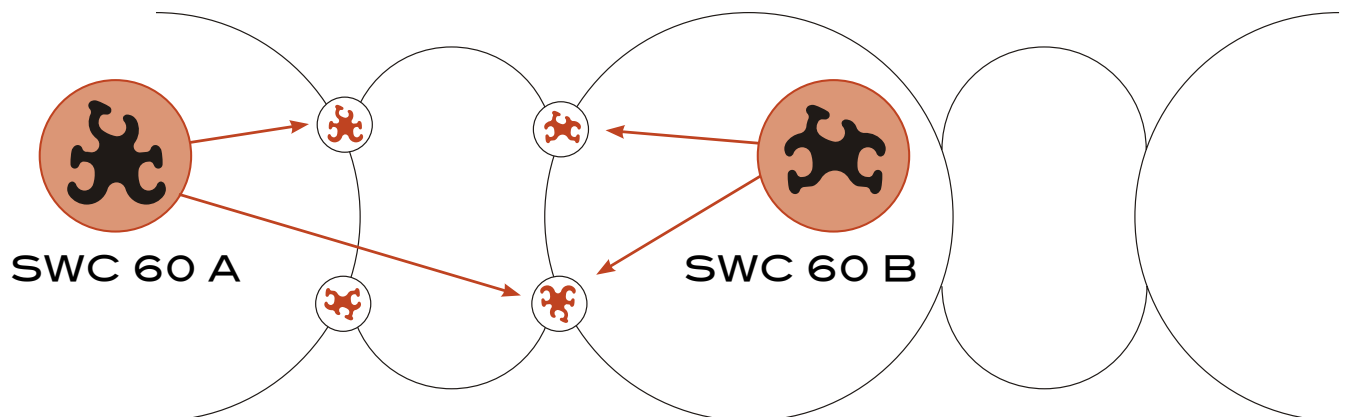
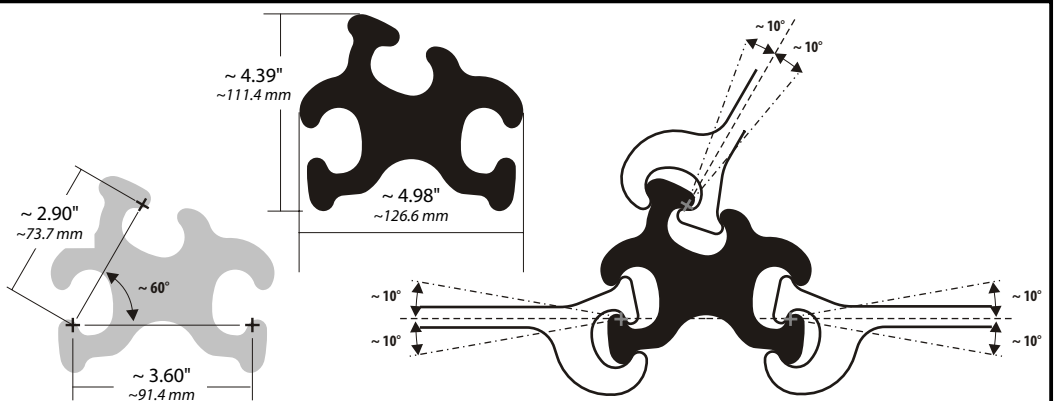
~ 33.46 lb/ft

WORKS WITH

PS: 27.5, 31

STEEL GRADE

ASTM Grade 50 (or better)



R.W. CONKLINSTEEL

100% Melted & Manufactured in the USA

1-888-CONKLIN (266-5546)

www.conklinsteel.com



PS FLAT WEB CONNECTORS

Specifications

SWC 90 A

90° WYE PILE

WEIGHT

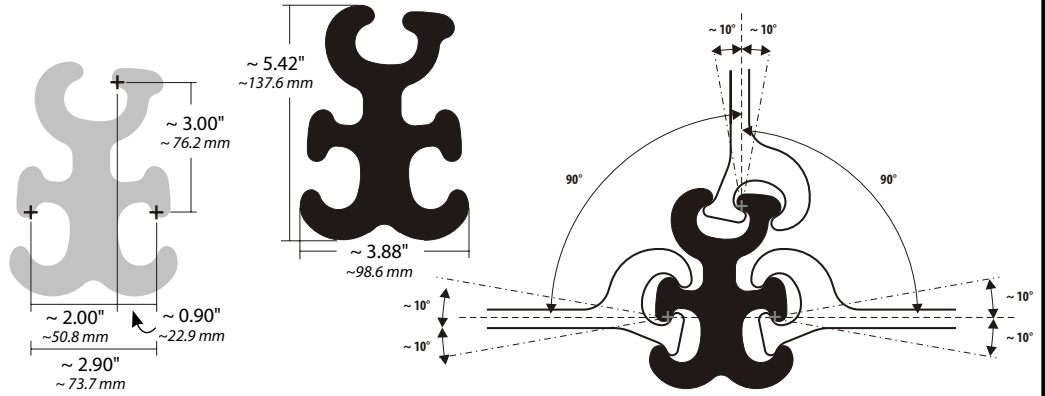
~ 35.82 lb/ft

WORKS WITH

PS: 27.5, 31

STEEL GRADE

ASTM Grade 50 (or better)



SWC 90 B

90° WYE PILE

WEIGHT

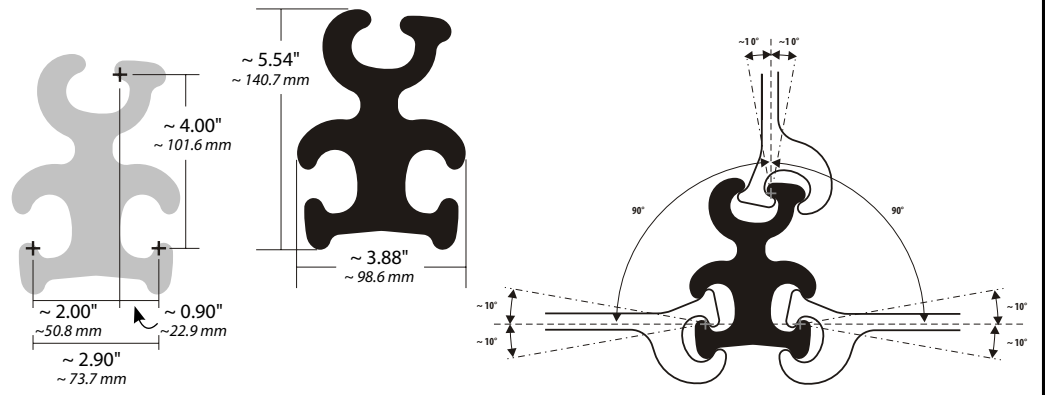
~ 35.82 lb/ft

WORKS WITH

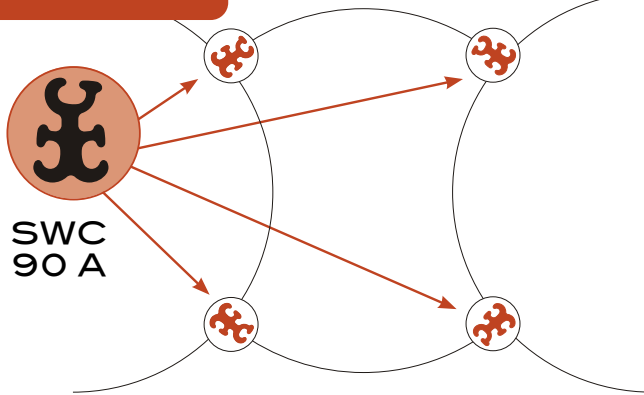
PS: 27.5, 31

STEEL GRADE

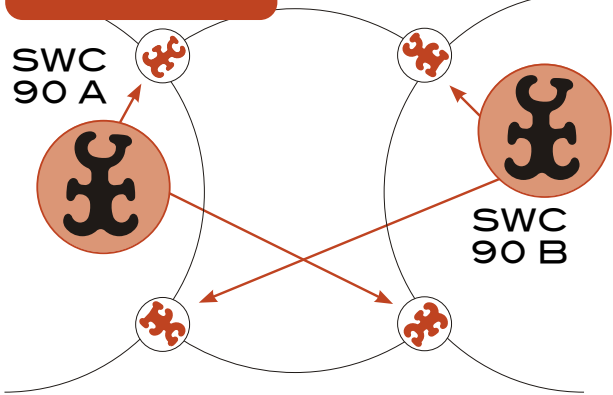
ASTM Grade 50 (or better)



CONFIGURATION ONE



CONFIGURATION TWO



R.W. CONKLINSTEEL

100% Melted & Manufactured in the USA

1-888-CONKLIN (266-5546)

www.conklinsteel.com



PS FLAT WEB CONNECTORS

Specifications

SWC120

120° WYE PILE

WEIGHT

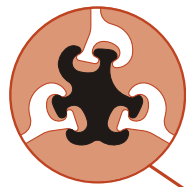
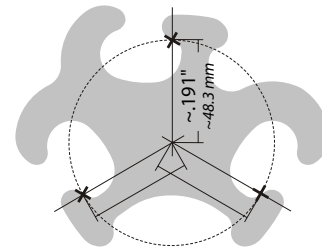
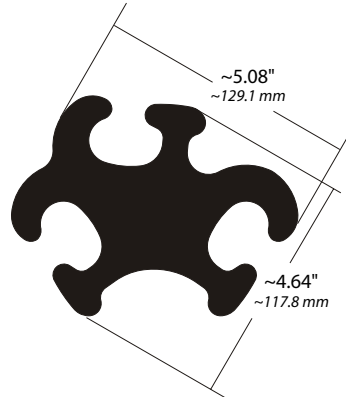
~ 38.29 lb/ft

WORKS WITH

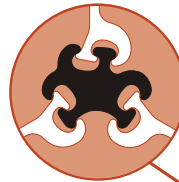
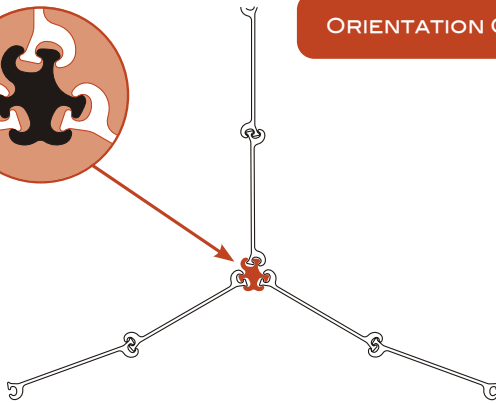
PS: 27.5, 31

STEEL GRADE

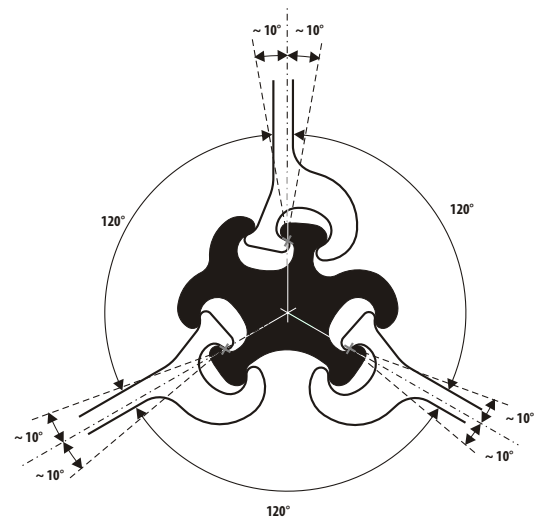
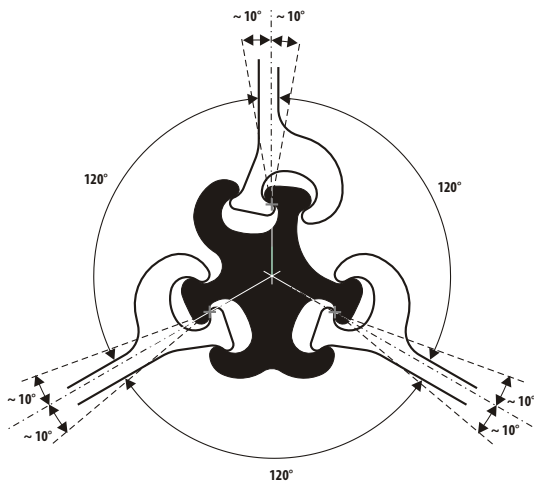
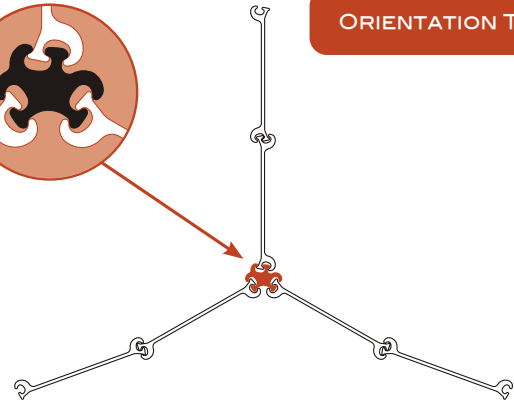
ASTM Grade 50 (or better)



ORIENTATION ONE



ORIENTATION TWO



R.W. CONKLINSTEEL

100% Melted & Manufactured in the USA

1-888-CONKLIN (266-5546)

www.conklinsteel.com



PS FLAT WEB CONNECTORS

Specifications

SWC

WELD-ON

WEIGHT

~ 12.34 lb/ft

WORKS WITH

PS: 27.5, 31

STEEL GRADE

ASTM Grade 50 (or better)

