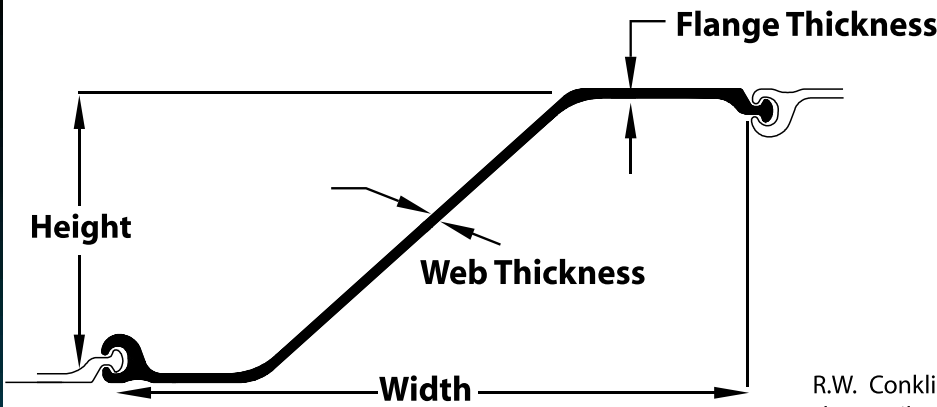


HOT ROLLED PZC Specifications



R.W. Conklin Steel Supply offers a wide variety of steel sheet piling to accommodate any and all of your sheet piling needs. Sheet Piling is unique in that it has a mechanical connection or an "interlock" at both ends of the section. The interlocks connect together forming a continuous wall of sheeting. Sheet Piling is typically used for retaining systems and can be used as a permanent or temporary application.

	PER SINGLE SECTION										PER UNIT OF WALL			
	Nominal Width	Nominal Height	Web Thickness	Flange Thickness	Area	Weight	Moment of Inertia	Section Modulus	Total Surface Area	Nominal Coating Area*	Area	Weight	Moment of Inertia	Section Modulus
	in (mm)	in (mm)	in (mm)	in (mm)	in ² (cm ²)	lb/ft (kg/m)	in ⁴ (cm ⁴)	in ³ (cm ³)	ft ² /ft (m ² /m)	ft ² /ft (m ² /m)	in ² /ft (cm ² /m)	lb/ft ² (kg/m ²)	in ⁴ (cm ⁴)	in ³ /ft (cm ³ /m)
PZC 13	27.88	12.56	0.375	0.375	14.82	50.4	353.0	56.2	6.10	5.60	6.38	21.7	152.0	24.2
	708	319	9.5	9.5	95.6	75.1	14,695	920	1.86	1.71	135.1	106.0	20,755	1,300
PZC 18	25.00	15.25	0.375	0.375	14.82	50.4	532.2	69.8	6.10	5.60	7.12	24.2	255.5	33.5
	635	387	9.5	9.5	95.6	75.1	22,155	1,145	1.86	1.71	150.6	118.2	34,890	1,800
PZC 26	27.88	17.70	0.525	0.600	21.72	73.9	994.3	112.4	6.65	6.15	9.35	31.8	428.1	48.4
	708	450	13.3	15.2	140.1	110.0	41,390	1,840	2.03	1.87	197.9	155.4	58,460	2,600

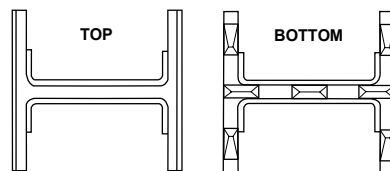
*Both sides of sheet; excludes socket interior and ball of interlock.

We also offer a wide variety of other sections of PZC sheet piling. Please contact us for more information.

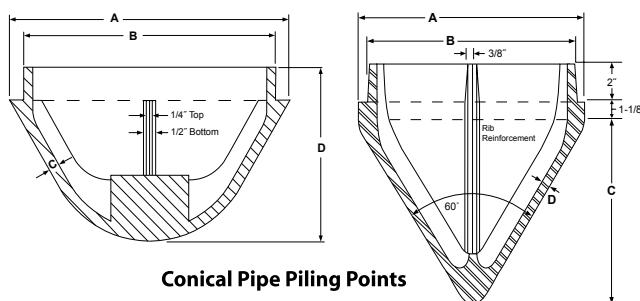
PILING ACCESSORIES



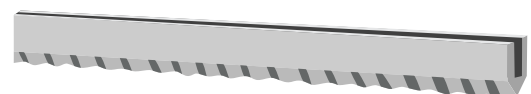
H-Pile Splicer



H-Pile Points



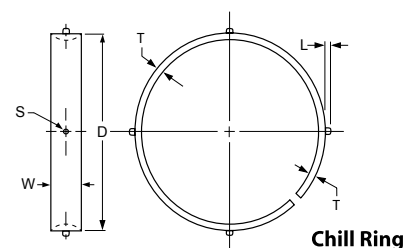
Conical Pipe Piling Points



Sheet Pile Protector 30-Inch Straight Bar



Sheet Pile Protector Form Fitting



Chill Ring

Additional accessories available for your driving efficiency and safety.

*All calculations and information should be double-checked by a qualified engineer.