

R.W. CONKLINSTEEL

100% Melted & Manufactured in the USA

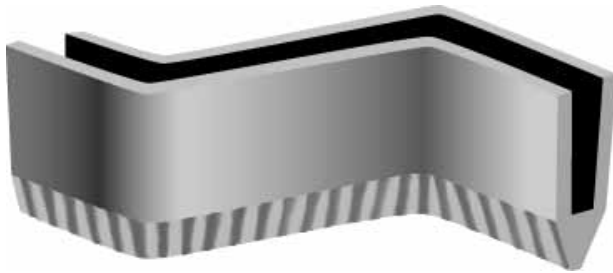
1-888-CONKLIN (266-5546)

www.conklinsteel.com



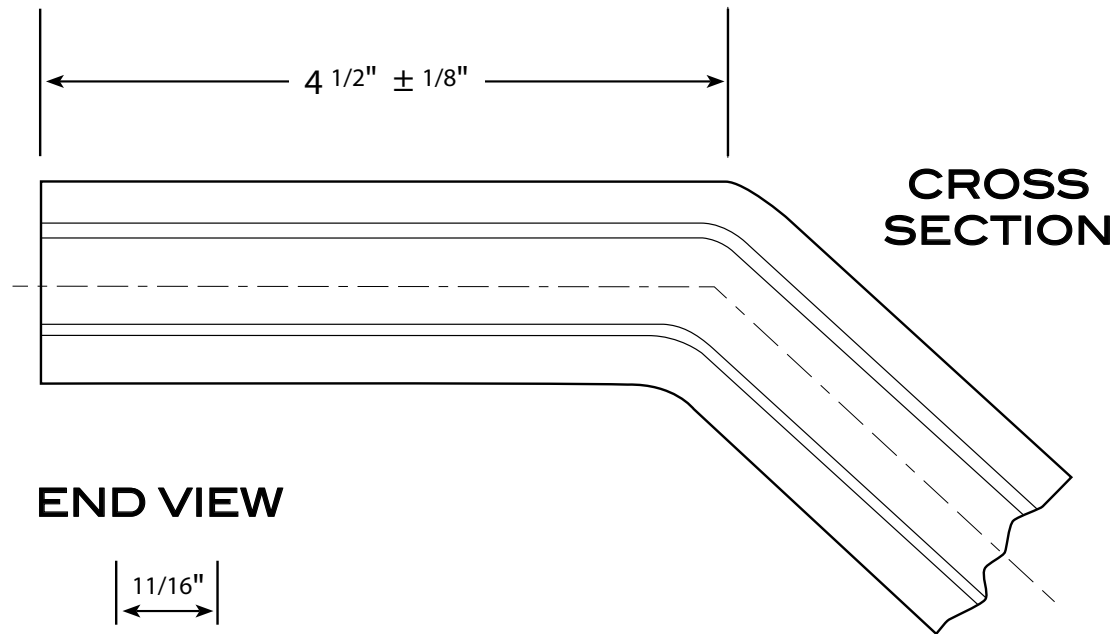
SHEET PILING PROTECTORS

Specifications



PZC/PZ SHEET PILE PROTECTOR

The sheet protector shoe is available as a one-piece attachment for the popular Z sheet pile sections. It fits exactly-no cutting, no small pieces, no delays. Just tack weld to sheet piles and drive.



END VIEW

